



NDSK-4

NITROGEN DEPLOYMENT SUSTAINMENT KIT

NDSK-4

Provides a Deployable Transport, Storage and Point-of-use High and Low Pressure Nitrogen Maintenance Service Kit.

- Transport lightweight high pressure backpack cylinders to point of need.
- Service high and low pressure components with backpack cylinder service kits.
- Service high pressure components directly from cart's control panel and attached 30 foot high pressure hose with service wand.

The NDSK-4 - Nitrogen Deployment Sustainment Kit is a uniquely designed service cart allowing it to be operated in a mixed service environment.

The Need - Nitrogen gas at service pressures above 1500 psig is mandatory for maintenance of most military rotary and fixed wing aircraft and many military vehicles. Tires, struts and accumulators are common applications since dry, inert nitrogen gas prevents explosions, corrosion and malfunction of critical components.

The Problem - When deployed to a remote location, the ability to bring high or low pressure nitrogen to the point of use is very difficult with existing equipment and even more difficult to dispense at the actual point of need.

The Solution - The NDSK-4 solves the servicing problem by storing gas in very lightweight, man-portable backpack cylinders which can be transported to the exact point of need regardless of vehicle location or location of the service point on the vehicle. The backpack cylinders provide nitrogen gas fill services with individual high and/or low pressure backpack service controls.

The NDSK-4 also provides the ability to be used as a high pressure only nitrogen gas servicing cart with it's own 30 foot high pressure hose and at the same time individual high pressure cylinders can be removed for convenient backpack servicing use.



NDSK-4, Nitrogen Deployment Sustainment Kit, PN: 410500

PROCURABLE FROM:



Advantage!
www.gsaAdvantage.gov

Contract Number: GS-07F-6014R

• DSCR by Stock Number: NSN 1730-01-506-4319
OR

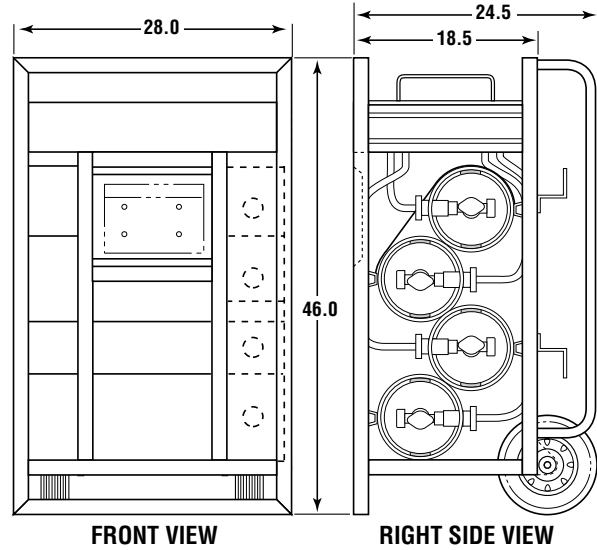
• Factory Direct, Government Impact Cards Acceptable



NDSK-4 NITROGEN DEPLOYMENT SUSTAINMENT KIT

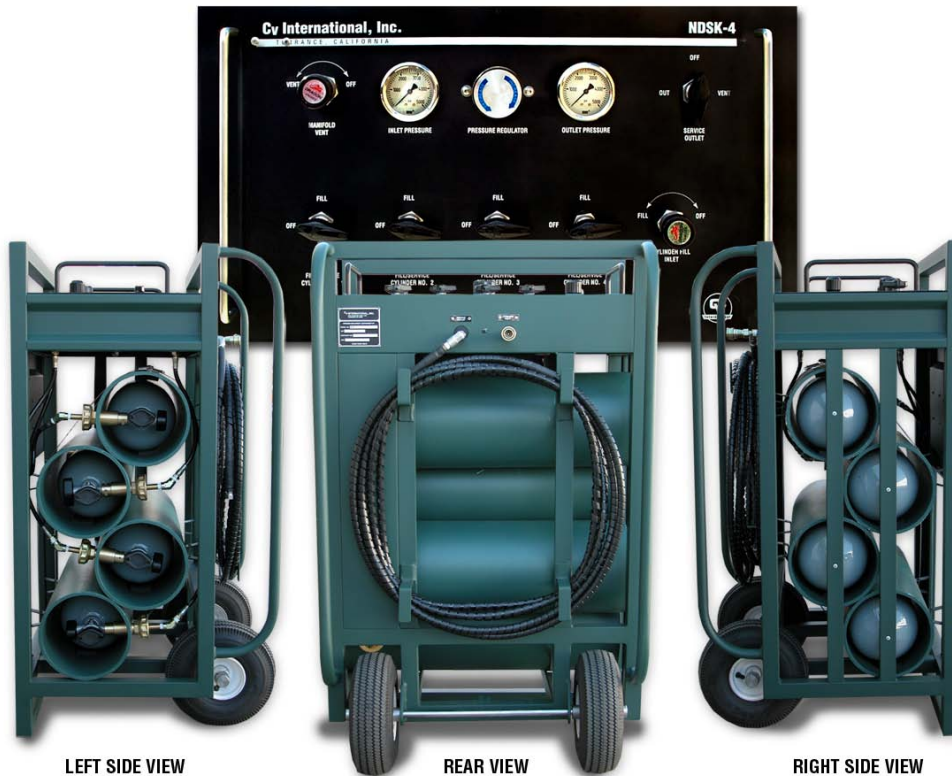
NDSK-4 Specifications

LENGTH	28.0 inches
HEIGHT	46.0 inches
WIDTH (Frame)	18.5 inches
WIDTH (Overall)	24.5 inches
WEIGHT (Overall)	250 lbs.
WEIGHT (Cylinder Filled)	20 lbs.
LOW PRESSURE Backpack Controls	150 psig max.
HIGH PRESSURE Backpack Controls	4500 psig max.
CYLINDER CAPACITY (each)	99 scf
CYLINDER PRESSURE	4500 psig
CART NITROGEN CAPACITY	396 scf @ 4500 psi
	264 scf usable above 1500 psig



NDSK-4, PART NUMBER 410500 - CONFIGURATION:

Steel Tubular Frame with Two 10" Pneumatic Wheels, Four Lightweight Backpack Cylinders, Two Backpack Harnesses, One Each High (HPSK-2A) and Low (LPSK-2A) Pressure Service Kits, High Pressure Service Hose, Service Fill Whip and High Pressure Pneumatic Control Panel.



CAN BE PROCURED FACTORY DIRECT, GSA OR DSCR