



July 8, 2008

MMP KITS . . . MODULAR MAINTENANCE PLATFORM KITS . . .

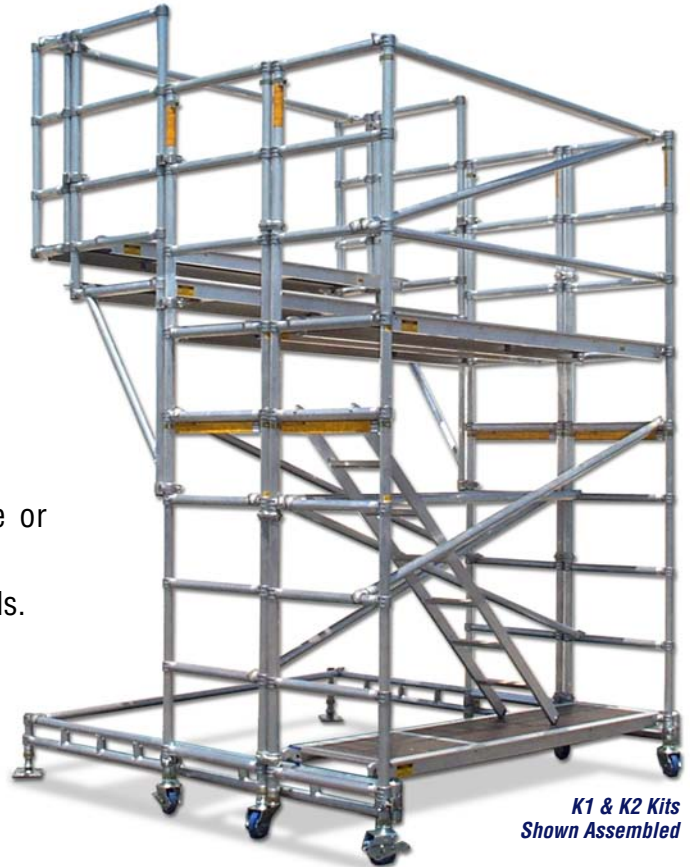
*Designed to fit the multifunctional
deployment needs of military
aviation and transport vehicles . . .*

- Packaged in Air and Man-portable Bags.
- Meets all Aircraft Load Plans
- Can be Deployed to Point of Need in Remote or Unimproved Locations.
- Easily Assembled and Disassembled without Tools.

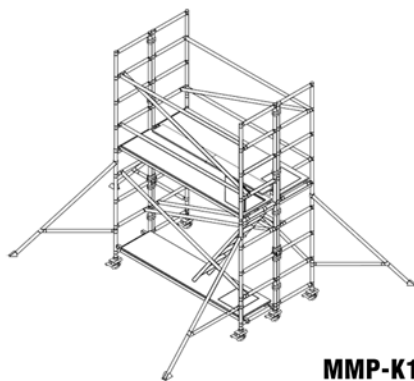
Kits Includes:

- Rubber Wheels for Unimproved surfaces.
- Flat, Swivel Feet for Non-level Surfaces.
- Stabilizers and Outriggers for added stability.

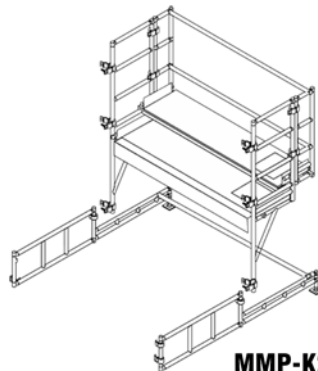
Meets OSHA Safety Standards



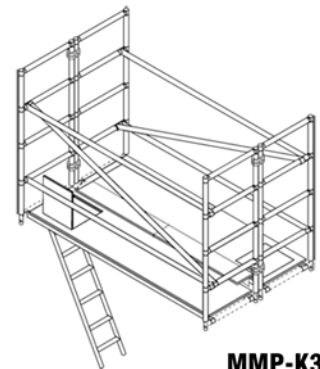
*K1 & K2 Kits
Shown Assembled*



MMP-K1



MMP-K2



MMP-K3

PROCURABLE FROM

**DSCR BY STOCK NUMBER OR FACTORY DIRECT,
Government Impact Cards Acceptable**



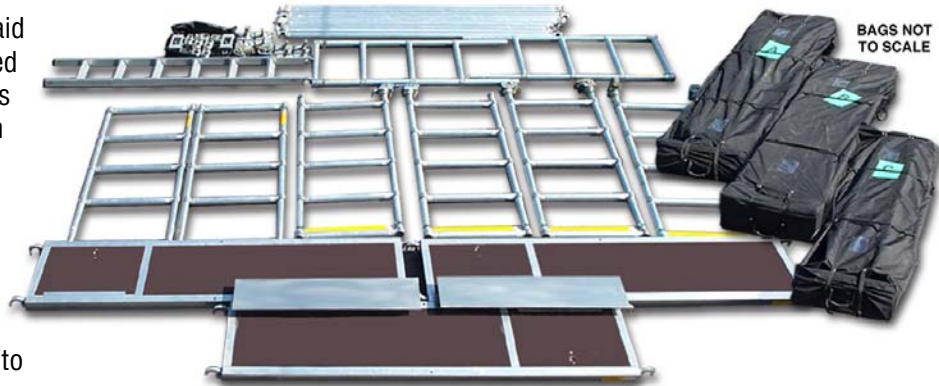
MMP KIT CONFIGURATIONS

The small, lightweight MMP kits meet all Army Load Plans for transport. Kit parts can be assembled for use and disassembled in less than 15 minutes. Disassembled, the kit sections can be hand-carried, trucked or internally carried in the UH-60 and CH-47. Assembled, the work stands can be wheeled around the flightline by a single soldier or carried across unimproved terrain by four soldiers.

The MMP K1 kit parts are shown laid out ready to pack into three rugged air-transportable fabric cases measuring 29" x 108" x 12". Each case contains separate fabric cases for hardware couplings, castors and swivel feet.

The K2 Kit is packaged into two air-transportable cases.

The K3 Kit is likewise packaged into two cases.



Images above represent typical MMP stands in use at various locations

KIT	P/N	NSN No.	DESCRIPTION	APPLICATION
MMP-K1	409100	1730-01-506-4210	Basic MMP Platform Kit 4' wide x 8' long with work platform elevations from 18" to 94" in height.	Access for aircraft and vehicle maintenance.
MMP-K2	409200	1730-01-506-4192	Balcony Kit Provides 37" lateral extensions 8' long to MMP-K1 Kit with work platforms elevations 84" to 114" in height.	Access over interfering structures such as fuselage, fins, fuel cells.
MMP-K3	409300	1730-01-506-4202	Extension Kit Increases the height the Basic MMP platform.	Increased height access for aircraft and vehicle maintenance.